



The FSPL1212 series of Universal Solid Base 12"X12" HDPE Pedestals are economical ground or pad mountable pedestals that can be used for a variety of applications to splice, patch, drop, express optical fiber or coax drops to subscribers. It can also be used to house a terminal or closure. A wide variety of accessories and accessory kits are available for factory or on site customization.

Pedestals are available to drop off most industry standard or common connector types including Corning Optitap® and Evolve Push Lok®, Commscope DLX, standard SC, LC, or ODVA.

Pedestals hold up to twelve 12, 24, or 48 fiber splice trays. Trays are available for single fiber or ribbon splicing. Trays are available with splitters.



Model FSPL12124141-1057-RS Universal Solid Base 12"X12" Pedestal



Model FSPL12123141-1057-RS-12SCA-811 Universal Solid Base 12"X12" Pedestal

Features

- [+] Designed and tested in accordance to Telcordia GR-13-CORE
- [+] Provides adequate protection for splices and connectors without need for a "box in a box".
- [+] Technicians have ample 360-degree access to Universal Solid Base Pedestal With Splice Tray
- [+] Stake is included standard.
- [+] Cap attaches to the base using a self-actuating lock using a Bellcore 216 Hex Lock Can Wrench
- [+] Accommodates up to 288 Spliced Fibers. Can Express Through Up To 432 Ribbon or 288 Loose Tube
- [+] HDPE Outer Housing

Overview

Optitap® and Evolv Pushlok are registered trademarks of Corning Optical Communications

*Call your FiberSource Representative for type availability. Some variations may have limited availability or may be subject to minimum order

Phone 888.342.3776 | orders@fibersource.net | www.FiberSource.net



- [+] Accepts Most Splice Tray Brands
 - [+] A wide variety of accessories are available for splicing, grounding, and patching.
 - [+] All Stainless-Steel Hardware
 - [+] Available LGX bracket provides mounting capability for Coex modules, cassettes, WDM's, Splitters, adapter plates.
 - [+] Stake mounts internally
 - [+] Tapered base helps keep ped erect and secure with or without stake.
 - [+] Square design provides more usable working space than similar size round pedestals.
 - [+] Standard 811 Label is available. Custom labels are also available.
 - [+] Available in Light Green (Standard) or Forest (Dark) Green (Special Order)
- Available Unvented (Standard) or Vented (Special Order)
- [+] **MADE IN USA Meets Buy America & Buy American ACT and Local and State Requirements for All Grants**

Benefits

- [+] Reduces Installation Time
- [+] Reduced cost compared to handhole or aerial terminal and splice points.
- [+] Versatile design allows base unit to be customized for virtually any application, reducing inventory costs.
- [+] Provides protection of fiber splices and connectors from dirt, water, flying insects, rodents, floods
- [+] Allows easy access to splices, drops, and terminals.
- [+] Scalable Architecture Allows Growth To Match User Take-Rate. Drops can be added easily without disturbing other subscribers.
- [+] Compatible with existing plant
- [+] Slim profile and unobtrusive
- [+] Ground mount , or Vault Applications

[Refer to ordering guide for pedestal configuration and accessory part number](#)

Product Specifications

Size	12"X12"X37", 12"X12"X41"	
Drop (Quantity)	12	
Splitters	1X4, 1X8, 1X16, 1X32	
12 Fiber Ribbon Storage	72 Ribbons	
Loose Tube Storage (14 Feet)	24 Tubes	
Splice tray Capacity	12 Fibers / Tray	72
	24 Fibers / Tray	144
	48 Fibers / Tray	288
	12 Ribbons / Tray	864

Optitap® and Evolv Pushlok are registered trademarks of Corning Optical Communications

*Call your FiberSource Representative for type availability. Some variations may have limited availability or may be subject to minimum order

Phone 888.342.3776 | orders@fibersource.net | www.FiberSource.net



Plastic Pedestals Environmental Specifications

1. Scope

This document and information contained within are applicable to FIBERSOURCE INC. standard 0808, 1010, 1212, 1431 and 1831 plastic pedestal bases, housing covers and assemblies.

2. Features

FIBERSOURCE Plastic Pedestals contain the Diversified SlamLock® feature. The Diversified Control SlamLock® is self-locking. Diversified StarLock® Key and/or 216 Tool locks are available.

- All metals and hardware are stainless steel, zinc plated or powder coated.
- A variety of stakes, shelves, hooks and frames are available options for mounting terminal blocks and taps.
- No rubber compounds are used.
- Each batch of plastics color is measured and held within the color standards for Delta L, Delta a, Delta b and Delta E.

3. Chemical Resistance

All chemical tests listed have been successfully passed on painted metal and plastic material.

Plastic components are subjected to 90 days exposure tests with the following chemicals:

- 3% H₂SO₄ (sulfuric acid)
- 0.2N NaOH (sodium hydroxide)
- NH₃ (ammonia)
- 90% Isopropyl Alcohol
- Kerosene

4. Flammability Testing

Flammability tests are conducted per UL 94 Type 5V on actual production parts.

5. QUV Testing

QUV weathering tests:

8 hour cycles at 70°F lighted, 4 hours dark with condensation at 50°F, testing was conducted about every 1,000 hours. No part degradation or plastic parts has occurred following 5,000 hours of testing.

6. Thermal Cycling

Production plastic pedestals have been exposed to the following conditions:

- Initial Temperature = ambient 21°- 23°C
- Heating to 75°C and held for 3.6 hours
- Cooling to -23°C and held for 3.6 hours
- Held at -23°C for 65 hours
- Heating to 73°C and held for 7 hours
- Cooling to -23°C and held for 47 hours

Form, Fit and Functional inspections were performed after each cycle with no concerning issues.

7. Impact Resistance

Production models are regularly tested at impact forces up to 170ft-lbs.

Cold impact tests are performed up to 100ft-lbs.

**Call your FiberSource Representative for type availability. Some variations may have limited availability or may be subject to minimum order*

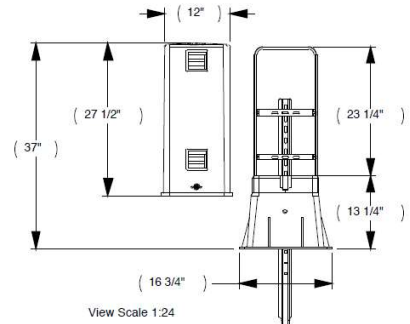
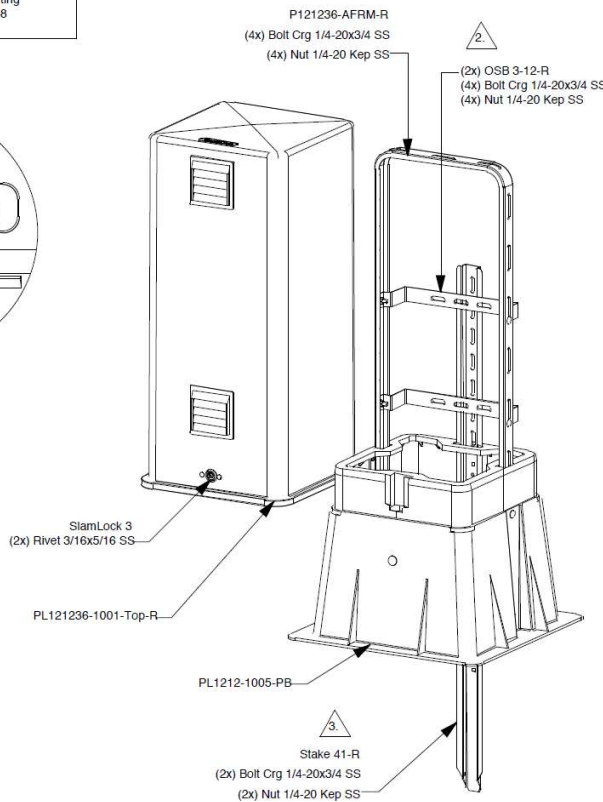
Phone 888.342.3776 | orders@fibersource.net | www.FiberSource.net



Notes:

- All dimensions are for reference only. Indicated items and mounting hardware are shipped in Hardware Bag 13 (attached to base).
- Stake shipped loose. Indicated mounting hardware shipped in Hardware Bag 38 (attached to base).

REV	DESCRIPTION	DATE	CHKD BY	APPVD BY
H4	Added Detail View to show Logo	05/02/16	MVV	
H5	Removed base sub-assembly Remove CBX from packaging	1/7/2022	MVV	



Qty	Item #	Description
1.00	PL121236-1001-Top-R	Top Assy, Pedestal, Plastic, Green
1.00	SlamLock 3	SlamLock Assembly
2.00	Rivet 3/16x5/16 SS	bulk, Rivet, 3/16 Dia x 5/16 Lg, Stn Stl Rivet at Plastic
1.00	PL1212-1005-PB	Base, Ped, Plastic, BK
1.00	P121236-AFRM-R	BRKT, A-FRAME, GREEN, 121236
4.00	Bolt Crg 1/4-20x3/4 SS	Bolt, Carriage, 1/4-20x3/4, S/S
4.00	Nut 1/4-20 Kep SS	bulk, Nut, Hex, Kep, 1/4-20, S/S
1.00	Assemble at Plastic	Assembling Operation (Plastic)
1.00	Hardware Bag 13	Hardware Bag, Extra
1.00	Stake 41-R	Stake, 41, Green
1.00	Hardware Bag 38	Hardware Bag, 2 Nuts & Bolts
2.00	Cable Tie 4	Cable Tie, 4" Long, 18 Pound, White, Nylon
	Packaging Instruction 1	Packaging Instruction
	Package at Plastic	Packaging Operation (Plastic)

SolidWorks 2017		DIVERSIFIED CONTROL, INC.	
UNLESS NOTED TOLERANCE: +/- .125		3333 California Road Orchard Park, NY 14127	
MATERIAL:	-	APPROVAL DATE:	-
DRAWN BY:	AJK 06/30/99	TITLE:	PED-PLST, GREEN, SL, +A, STK41
ENGINEERED:	Mike 06/30/99	DRAWING NUMBER:	PL12123648-1001-RS
MANUFACTURING:	Garrick 06/30/99	REV:	H5
MARKETING:	Terri 06/30/99	SCALE:	1:1
DATE:	06 PM	Sheet No.:	006
		SHEET:	1 OF 1

Part ID# 2857

PL12123648-1001-RS.dxf - 1/07/2022 1

*Call your FiberSource Representative for type availability. Some variations may have limited availability or may be subject to minimum order

Phone 888.342.3776 | orders@fibersource.net | www.FiberSource.net

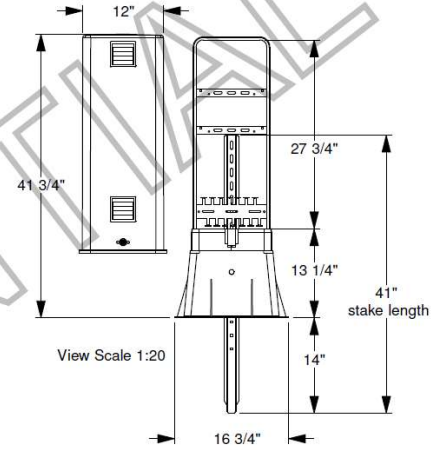
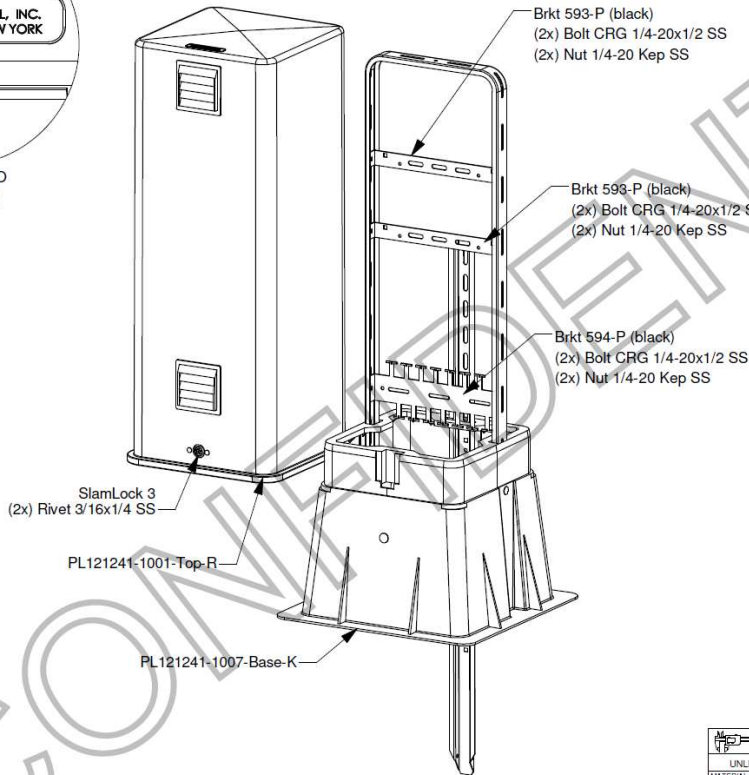


Notes:
1. All dimensions are for reference only.

REVISIONS				
REV.	DESCRIPTION	DATE	CHGD BY	APPVD BY
A	Brkt 593 - ϕ .219 holes were 175mm apart Now : 170mm Brkt 594 - lengthend slots, added cable strength member securing holes	6/25/2021	AJK	
B	Revised bracket placement and hardware length	7/13/2021	MVV	



DETAIL LOGO
SCALE 1 : 2



SolidWorks 2017		DIVERSIFIED CONTROL, INC.	
UNLESS NOTED TOLERANCE: +/- .03		3333 California Road Orchard Park, NY 14127	
MATERIAL:	-	APPROVAL DATE:	-
DRAWN BY:	AJK	06/17/21	TITLE: PED-PLST,SPECIAL, STK41
ENGINEERING:	-	-	DRAWING NUMBER:
MANUFACTURING:	-	-	PL12124141-1058-RS
MARKETING:	-	-	REV: B
OTHER:	-	-	SCALE: 1:10
			Sheet Width: .006
			SHEET 1 OF 1

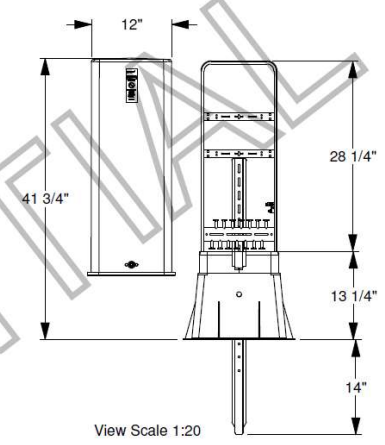
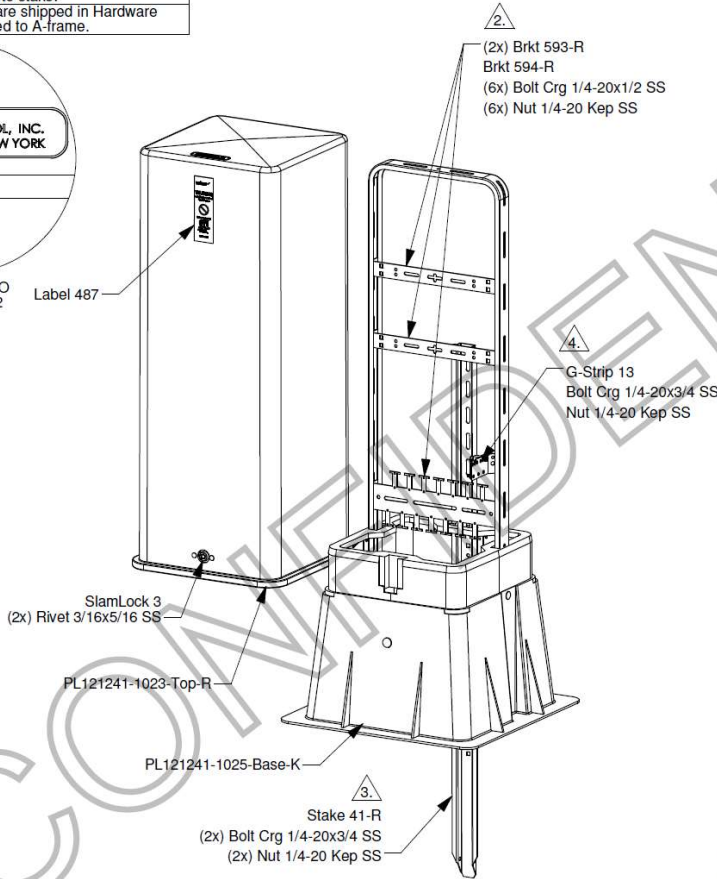
*Call your FiberSource Representative for type availability. Some variations may have limited availability or may be subject to minimum order

Phone 888.342.3776 | orders@fibersource.net | www.FiberSource.net



Notes:	
1.	All dimensions are for reference only.
2.	Indicated items are included in Hardware Bag 250, attached to A-frame
3.	Stake to be wire tied to A-frame. Mounting hardware is shipped in Hardware Bag 38, wire tied to stake.
4.	Indicated items are shipped in Hardware Bag 253, attached to A-frame.

REV	DESCRIPTION	REVISIONS	DATE	CHGD BY	APP'D BY



SolidWorks 2017		DIVERSIFIED CONTROL, INC.	
UNLESS NOTED TOLERANCE: +/- .250		3333 California Road Orchard Park, NY 14127	
MATERIAL:	-	APPROVAL DATE:	-
DRAWN BY:	MVV	05/17/23	TITLE: NOT VENTED, PED-PLST, LABEL, GREEN, SLAM(2299), +A, STK41
ENGINEERING:	-	-	DRAWING NUMBER:
MANUFACTURING:	-	-	PL12124141-1068-RS
MARKETING:	-	-	REV: -
OTHER:	-	-	SCALE: 1:10
		Part Width: .006	SHEET 1 OF 1

*Call your Fibersource Representative for type availability. Some variations may have limited availability or may be subject to minimum order

Phone 888.342.3776 | orders@fibersource.net | www.FiberSource.net

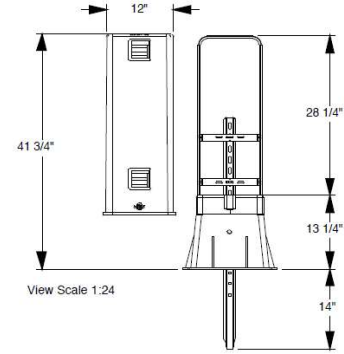
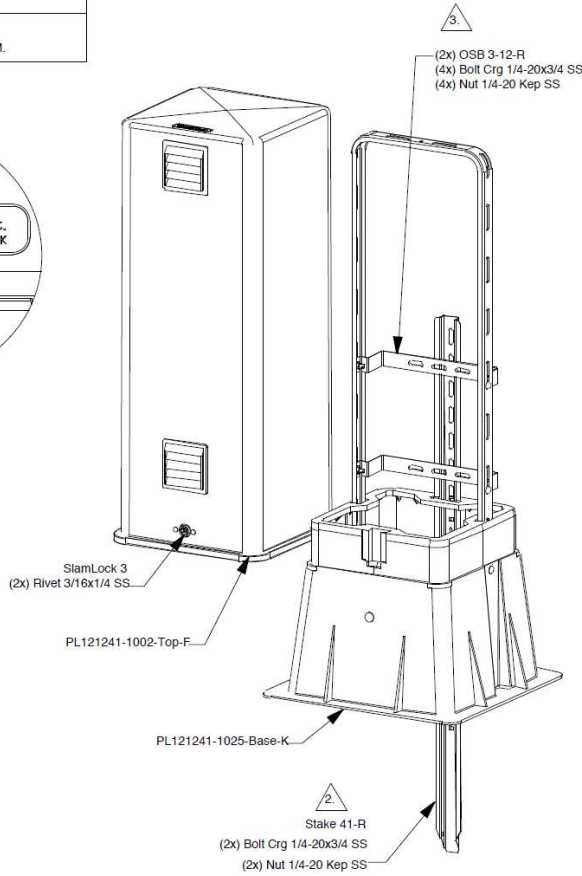


Notes:	
1.	All dimensions are for reference only. Stake to be wire tied to AFRM.
2.	Mounting Hardware is shipped in Hardware Bag 38, wire tied to stake.
3.	OSB's and mounting hardware is shipped in Hardware Bag 13, wire tied to AFRM.

REVISIONS				
REV.	DESCRIPTION	DATE	CHGD BY	APPRVD BY
J1	Added Detail View to show Logo Added Overall dimensions view. Added Note #3 (dimensions are reference)	05/03/16	MVV	
J2	Updated drawing to current format Was: PL121241-1001-Base-K Now: PL121241-1025-Base-K Moved Hardware Bags and Stake to top level assy	7/29/2021	MVV	



DETAIL LOGO
SCALE 1 : 2



Qty	Item #	Description
1.00	PL121241-1002-Top-F	Top Assy, Pedestal, Plastic, Forest Green
1.00	SlamLock 3	SlamLock Assembly
2.00	Rivet 3/16x5/16 SS	bulk, Rivet, 3/16 Dia x 5/16 Lg, Stn Slt
		Rivet at Plastic
		Riveting Operation (Plastic)
1.00	PL121241-1025-Base-K	Base Assy, Pedestal, Plastic, Hardware Bag
1.00	Hardware Bag 13	Hardware Bag, Extra
1.00	Stake 41-R	Stake, 41, Green
1.00	Hardware Bag 38	Hardware Bag, 2 Nuts & Bolts
4.00	Cable Tie 2	Cable Tie, 8.5" Long, 40 Pound, White, N
		Assemble at Plastic
		Assembling Operation (Plastic)
		Packaging Instruction 1
		Packaging Instruction (Plastic)
		Package at Plastic
		Packaging Operation (Plastic)

SolidWorks 2017		DIVERSIFIED CONTROL, INC.	
UNLESS NOTED TOLERANCE: .0125		3333 California Road Orchard Park, NY 14127	
MATERIAL: -	APPROVAL DATE: -	TITLE: PED-PLST,FGRN,SL,+A,STK41	REV: J2
DRAWN BY: AJK	06/21/99	DRAWING NUMBER: PL12124148-1002-FS	
ENGINEERING: Mike	06/21/99		
MANUFACTURING: Garrick	06/21/99		
MARKETING: Terri	06/21/99		
DATE: 10/26/2021	SCALE: 1:10	REF WGT: .006	SHEET 1 OF 1

Part ID# 2856

PL12124148-1002-FS.dxf - 7/29/2021 10:26 AM

FOREST (DARK) GREEN

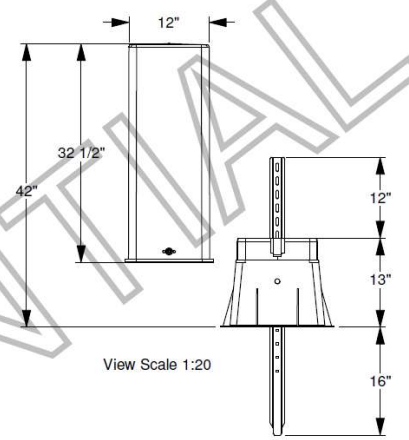
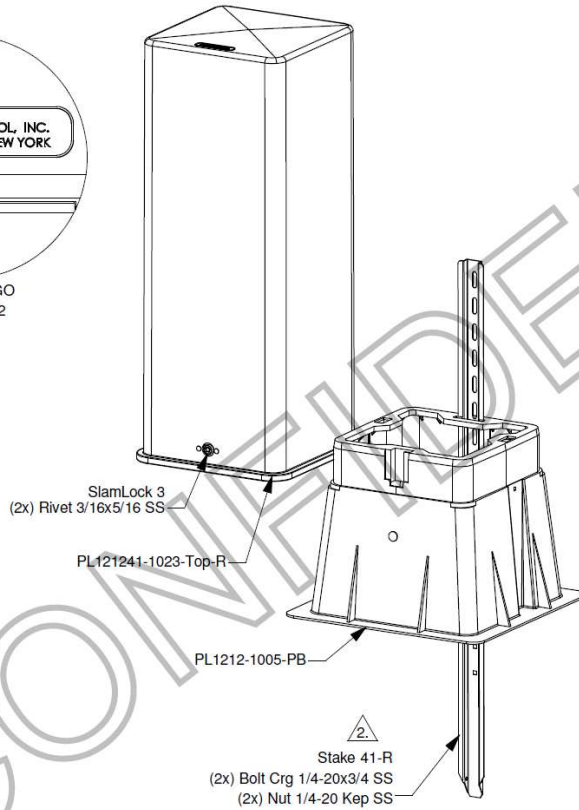
*Call your FiberSource Representative for type availability. Some variations may have limited availability or may be subject to minimum order

Phone 888.342.3776 | orders@fibersource.net | www.FiberSource.net



Notes:	
1.	All dimensions are for reference only.
2.	Stake to be wire tied to AFRM. Mounting Hardware is shipped in Hardware Bag 38, wire tied to stake.

REVISIONS			
REV.	DESCRIPTION	DATE	CHGD BY APPVD BY



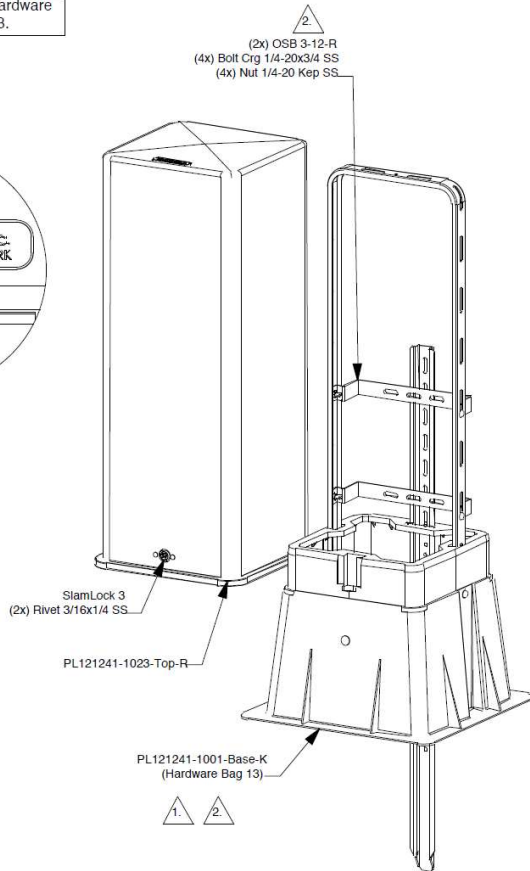
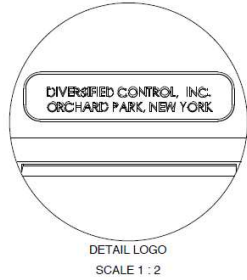
SolidWorks 2017		DIVERSIFIED CONTROL, INC.	
UNLESS NOTED TOLERANCE: +/- .250		3333 California Road Orchard Park, NY 14127	
MATERIAL: -	APPROVAL DATE: 08/13/22	TITLE: NOT VENTED, PED-PLST, GREEN, SLAM, STK41	
DRAWN BY: AJK	-	DRAWING NUMBER: PL12124141-1066-RS	REV: -
ENGINEERING: -	-	SCALE: 1:10	Sheet Width: .006
MANUFACTURING: -	-	SHEET 1 OF 1	
MARKETING: -	-		
OTHER: -	-		

*Call your FiberSource Representative for type availability. Some variations may have limited availability or may be subject to minimum order

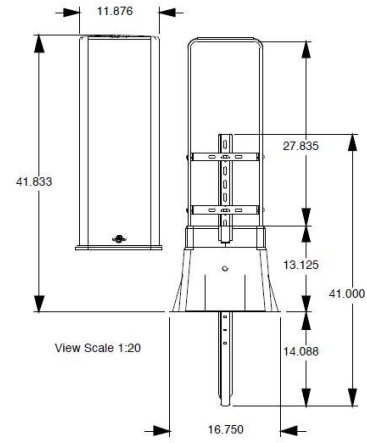
Phone 888.342.3776 | orders@fibersource.net | www.FiberSource.net



Notes:	
1.	Hardware Bag 13 (not shown) is included in the base subassembly.
2.	Indicated items and mounting hardware are shipped in Hardware Bag 13.



REVISIONS				
REV	DESCRIPTION	DATE	CHGD BY	APPRVD BY



Qty	Item #	Description
1.00	PL121241-1023-Top-R	Top Assy, Pedestal, Plastic, Green, No Vent
1.00	SlamLock 3	SlamLock Assembly
2.00	Rivet 3/16x5/16 SS	bulk, Rivet, 3/16 Dia x 5/16 Lg, Stn Stl Rivet at Plastic
1.00	PL121241-1001-Base-K	Base Assy, Ped, Plst, BK, Hardware Bag Assemble at Plastic
1.00	CBX 171742 RSC	Cardboard Box, Regular Slotted Carton
	Packaging Instruction 8	Packaging Instruction, PG/PL's
	Package at Plastic	Packaging Operation (Plastic)

SolidWorks 2017		DIVERSIFIED CONTROL, INC.	
UNLESS NOTED TOLERANCE +/- .03		3333 California Road Orchard Park, NY 14127	
MATERIAL:	APPROVAL DATE:	TITLE:	
		PED-PLST, SPECIAL, STK41, NO VENTS	
DRAWN BY: A,JK	05/21/21	DRAWING NUMBER:	
ENGINEERING:		PL12124141-1053-RS	
MANUFACTURING:		REV:	
MARKETING:			
		SCALE: 1:10	Sheet VSN: .006
			SHEET 1 OF 1

Part ID# 37613

PL12124141-1053-RS.dxf - 5/21/2021 3:21 PM

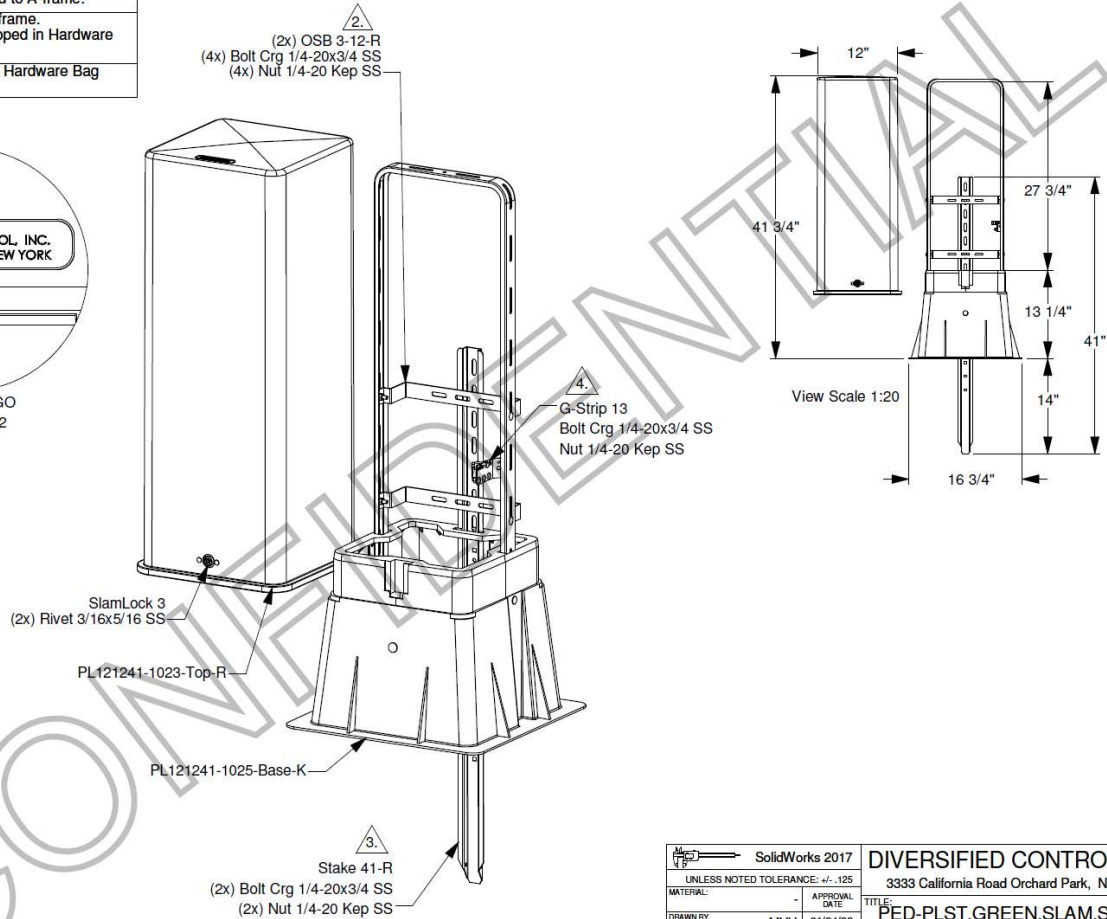
*Call your FiberSource Representative for type availability. Some variations may have limited availability or may be subject to minimum order

Phone 888.342.3776 | orders@fibersource.net | www.FiberSource.net



- Notes:
1. All dimensions are for reference only.
 2. OSB's and mounting hardware is shipped in Hardware Bag 13, wire tied to A-frame.
 3. Stake to be wire tied to A-frame. Mounting Hardware is shipped in Hardware Bag 38, wire tied to stake.
 4. Indicated items shipped in Hardware Bag 253, attached to A-frame.

REVISIONS			
REV.	DESCRIPTION	DATE	CHGD BY APPVD BY



SolidWorks 2017		DIVERSIFIED CONTROL, INC.	
UNLESS NOTED TOLERANCE: +/- .125		3333 California Road Orchard Park, NY 14127	
MATERIAL:	APPROVAL DATE:	TITLE:	
-	01/24/22	PED-PLST, GREEN, SLAM, STK 41, AFRM, G-STRIP, NO VENTS	
DRAWN BY: MVV	ENGINEERING: -	DRAWING NUMBER:	REV: -
MANUFACTURING: -	MARKETING: -	PL121241-1065-RS	-
OTHER: -	-	SCALE: 1:10	Kerf Width: .006 SHEET 1 OF 1

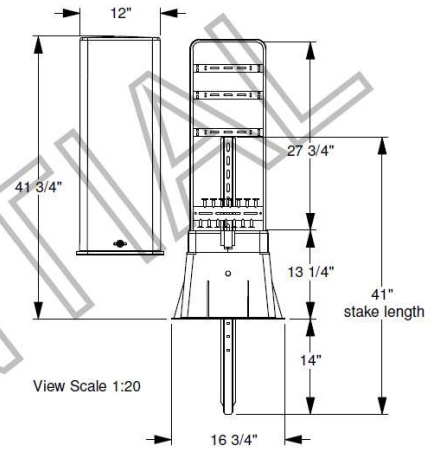
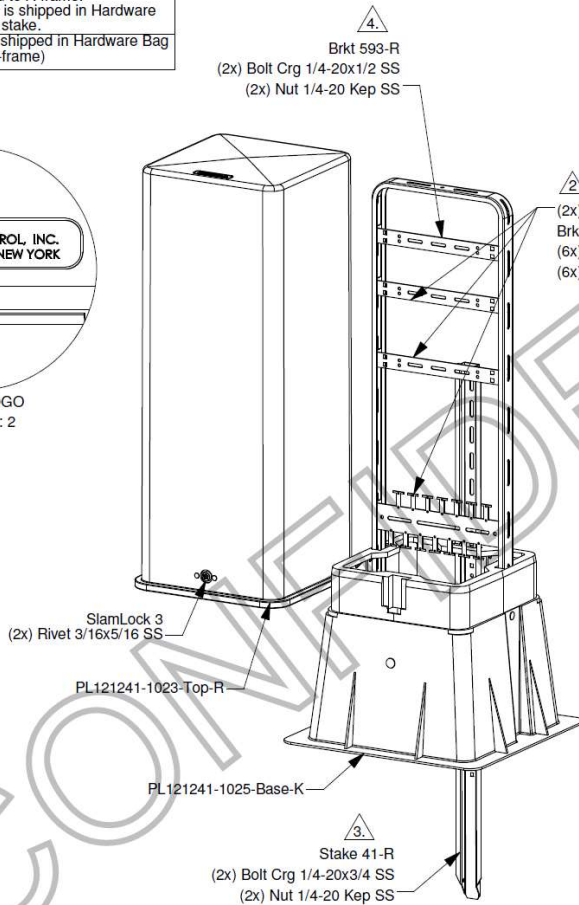
*Call your FiberSource Representative for type availability. Some variations may have limited availability or may be subject to minimum order

Phone 888.342.3776 | orders@fibersource.net | www.FiberSource.net



Notes:	
1.	All dimensions are for reference only.
2.	Indicated Items are shipped in Hardware Bag 250. (Attached to A-frame)
3.	Stake to be wire tied to A-frame. Mounting Hardware is shipped in Hardware Bag 38, wire tied to stake.
4.	Indicated Items are shipped in Hardware Bag 251. (Attached to A-frame)

REVISIONS				
REV.	DESCRIPTION	DATE	CHGD BY	APPVD BY



SolidWorks 2017		DIVERSIFIED CONTROL, INC.	
UNLESS NOTED TOLERANCE: +/- .125		3333 California Road Orchard Park, NY 14127	
MATERIAL:	-	APPROVAL DATE:	-
DRAWN BY:	MVV	01/18/22	TITLE:
ENGINEERING:	-	-	NOT VENTED, PED-PLST, SPCL, GRN, SLAM(2299), +A, STK41
MANUFACTURING:	-	-	DRAWING NUMBER:
MARKETING:	-	-	PL12124141-1064-RS
OTHER:	-	-	REV:
			-
SCALE: 1:10		Part Width: .006	SHEET 1 OF 1

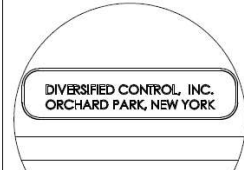
*Call your FiberSource Representative for type availability. Some variations may have limited availability or may be subject to minimum order

Phone 888.342.3776 | orders@fibersource.net | www.FiberSource.net

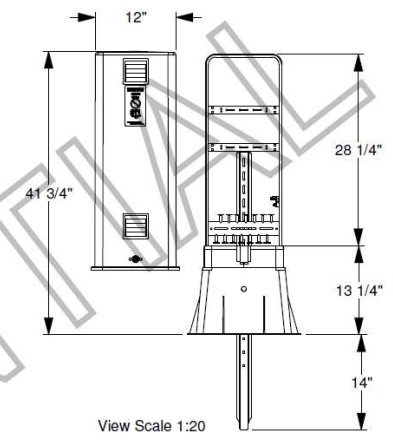
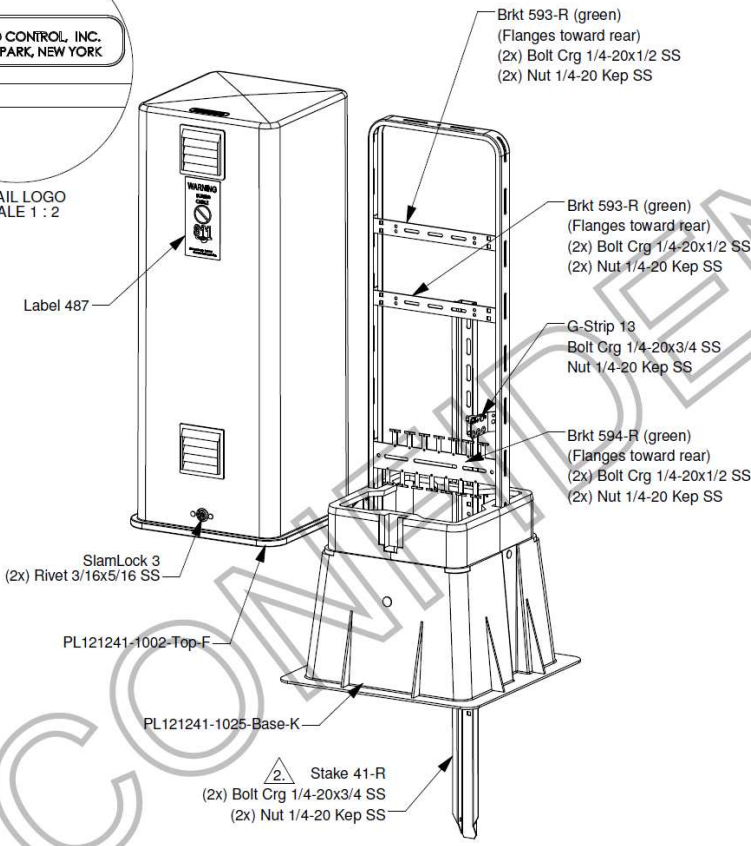


Notes:	
1.	All dimensions are for reference only.
2.	Stake to be wire tied to AFRM. Mounting hardware is shipped in Hardware Bag 38, wire tied to base.

REV.	DESCRIPTION	REVISIONS	DATE	CHG. BY	APP. BY



DETAIL LOGO
SCALE 1 : 2



SolidWorks 2017		DIVERSIFIED CONTROL, INC.	
UNLESS NOTED TOLERANCE: +/- .250		3333 California Road Orchard Park, NY 14127	
MATERIAL	-	APPROVAL DATE	-
DRAWN BY	AJK	01/07/22	TITLE: VENTED,PED-PLST,SPCL, FGRN,SLAM(2299),+A,STK41
ENGINEERING	-	-	DRAWING NUMBER: PL12124141-1063-FS
MANUFACTURING	-	-	REV: -
MARKETING	-	-	-
OTHER	-	-	-
SCALE: 1:10		Part Width: .006	SHEET 1 OF 1

FOREST (DARK) GREEN

*Call your FiberSource Representative for type availability. Some variations may have limited availability or may be subject to minimum order

Phone 888.342.3776 | orders@fibersource.net | www.FiberSource.net



Notes:	
1.	All dimensions are for reference only.
2.	Stake to be wire tied to AFRM. Mounting hardware is shipped in Hardware Bag 38, wire tied to base.



DETAIL LOGO
SCALE 1 : 2

Label 487

SlamLock 3
(2x) Rivet 3/16x5/16 SS

PL121241-1026-Top-F

PL121241-1025-Base-K

Stake 41-R
(2x) Bolt Crg 1/4-20x3/4 SS
(2x) Nut 1/4-20 Kep SS

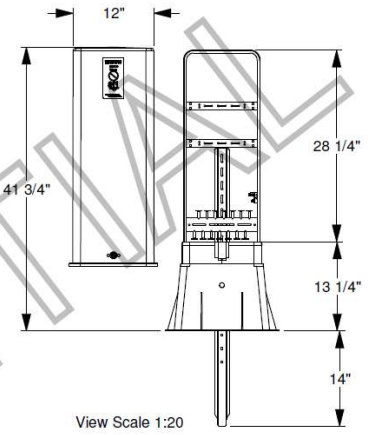
Brkt 593-R (green)
(Flanges toward rear)
(2x) Bolt Crg 1/4-20x1/2 SS
(2x) Nut 1/4-20 Kep SS

Brkt 593-R (green)
(Flanges toward rear)
(2x) Bolt Crg 1/4-20x1/2 SS
(2x) Nut 1/4-20 Kep SS

G-Strip 13
Bolt Crg 1/4-20x3/4 SS
Nut 1/4-20 Kep SS

Brkt 594-R (green)
(Flanges toward rear)
(2x) Bolt Crg 1/4-20x1/2 SS
(2x) Nut 1/4-20 Kep SS

REV	DESCRIPTION	REVISIONS	DATE	CHGD BY	APPVD BY



SolidWorks 2017		DIVERSIFIED CONTROL, INC.	
UNLESS NOTED TOLERANCE: +/- .250		3333 California Road Orchard Park, NY 14127	
MATERIAL:	-	APPROVAL DATE:	12/20/21
DRAWN BY:	MVV	TITLE:	PED-PLST,SPECIAL,NO VENTS, FOREST GREEN,SLAM(2299),+A,STK41
ENGINEERING:	-	DRAWING NUMBER:	PL12124141-1062-FS
MANUFACTURING:	-	REV:	-
MARKETING:	-	SCALE:	1:10
OTHER:	-	Kerf Width:	.006
		SHEET:	1 OF 1

FOREST (DARK) GREEN

*Call your FiberSource Representative for type availability. Some variations may have limited availability or may be subject to minimum order

Phone 888.342.3776 | orders@fibersource.net | www.FiberSource.net

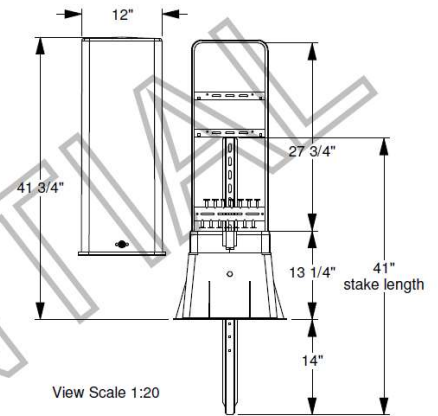
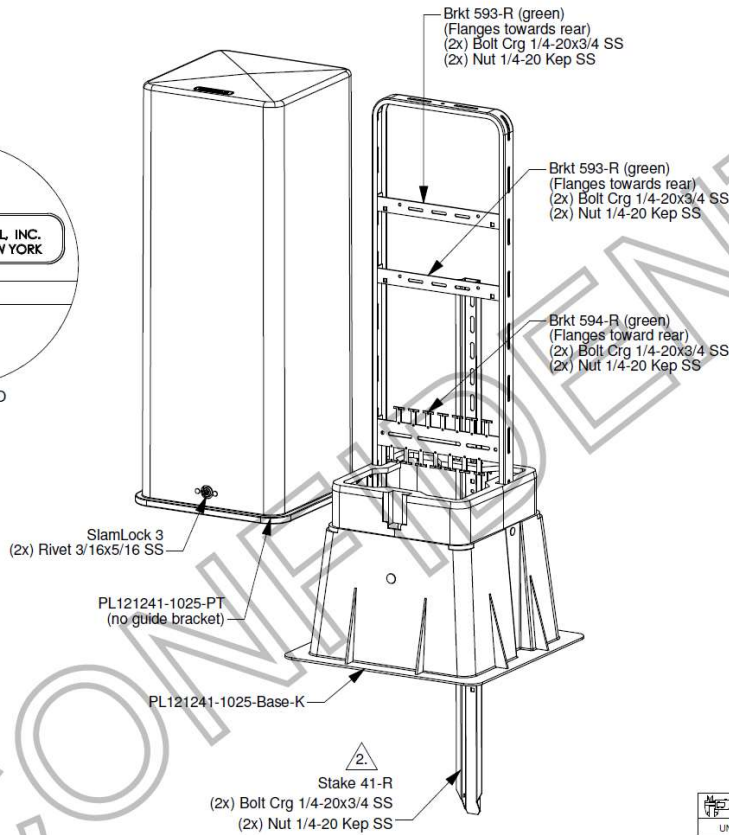


Notes:	
1.	All dimensions are for reference only. Stake to be wire tied to AFRM. Mounting hardware is shipped in Hardware Bag 38 (Attached to base)

REVISIONS				
REV.	DESCRIPTION	DATE	CHGD BY	APPVD BY



DETAIL LOGO
SCALE 1 : 2



SolidWorks 2017		DIVERSIFIED CONTROL, INC.	
UNLESS NOTED TOLERANCE: +/- .03		3333 California Road Orchard Park, NY 14127	
MATERIAL:	-	APPROVAL DATE:	-
DRAWN BY:	MVV	11/08/21	TITLE:
ENGINEERING:	-	-	PED-PLST,SPECIAL, STK41,NO VENTS
MANUFACTURING:	-	-	DRAWING NUMBER:
MARKETING:	-	-	PL12124141-1060-RS
OTHER:	-	-	REV:
			-
SCALE:	1:10	Part Width:	.006
		SHEET	1 OF 1

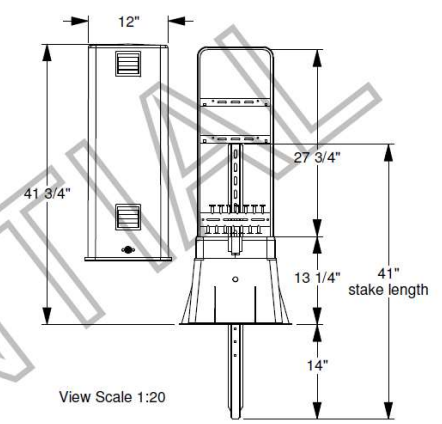
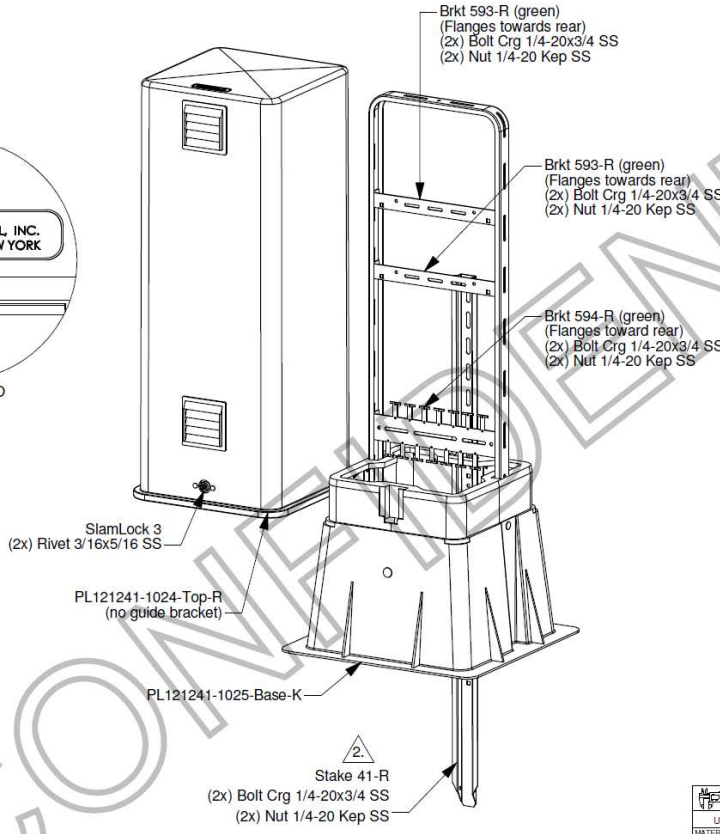
*Call your Fibersource Representative for type availability. Some variations may have limited availability or may be subject to minimum order

Phone 888.342.3776 | orders@fibersource.net | www.Fibersource.net



Notes:	
1.	All dimensions are for reference only.
2.	Stake to be wire tied to AFRM. Mounting hardware is shipped in Hardware Bag 38 (Attached to base)

REVISIONS			
REV.	DESCRIPTION	DATE	CHGD BY / APPVD BY



SolidWorks 2017		DIVERSIFIED CONTROL, INC.	
UNLESS NOTED TOLERANCE: +/- .03		3333 California Road Orchard Park, NY 14127	
MATERIAL:	APPROVAL DATE:	TITLE: PED-PLST,SPECIAL, STK41	
DRAWN BY: MVV	11/08/21	DRAWING NUMBER: PL12124141-1061-RS	
ENGINEERING:	-	REV: -	-
MANUFACTURING:	-	SCALE: 1:10	Kerf Width: .006
MARKETING:	-	SHEET 1 OF 1	
OTHER:	-		

*Call your FiberSource Representative for type availability. Some variations may have limited availability or may be subject to minimum order

Phone 888.342.3776 | orders@fibersource.net | www.FiberSource.net

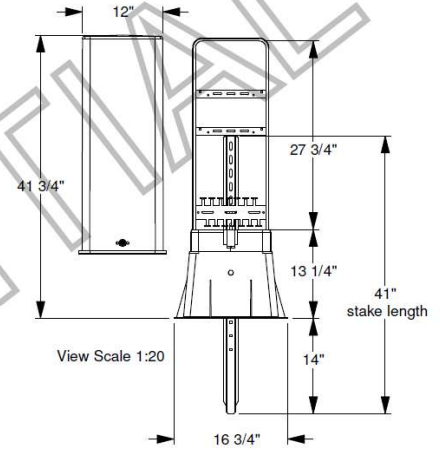
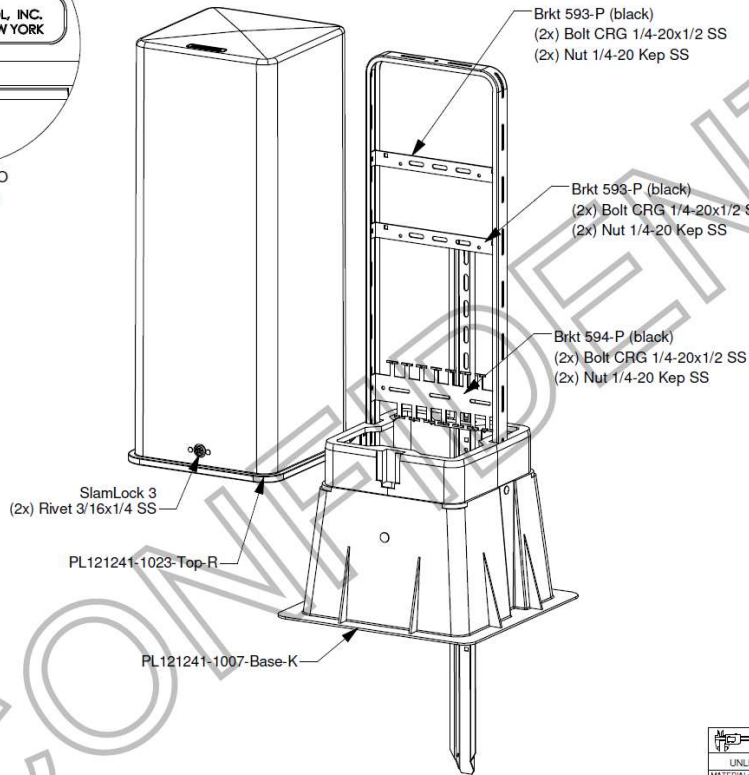


Notes:
1. All dimensions are for reference only.

REVISIONS				
REV.	DESCRIPTION	DATE	CHGD BY	APPVD BY
A	Brkt 593 - ϕ .219 holes were 175mm apart. Now: 170mm	6/25/2021	AJK	
	Brkt 594 - lengthend slots, added cable strength member securing holes			
B	Revised bracket placement and hardware length	7/13/2021	MVV	



DETAIL LOGO
SCALE 1 : 2



SolidWorks 2017		DIVERSIFIED CONTROL, INC.	
UNLESS NOTED TOLERANCE: +/- .03		3333 California Road Orchard Park, NY 14127	
MATERIAL:	APPROVAL DATE:	TITLE:	
-	-	PED-PLST.SPECIAL, STK41,NO VENTS	
DRAWN BY: AJK	06/09/21	DRAWING NUMBER:	REV:
ENGINEERING: -	-	PL12124141-1057-RS	B
MANUFACTURING: -	-	SCALE: 1:10	Sheet Width: .006
MARKETING: -	-	SHEET: 1 OF 1	
OTHER: -	-		

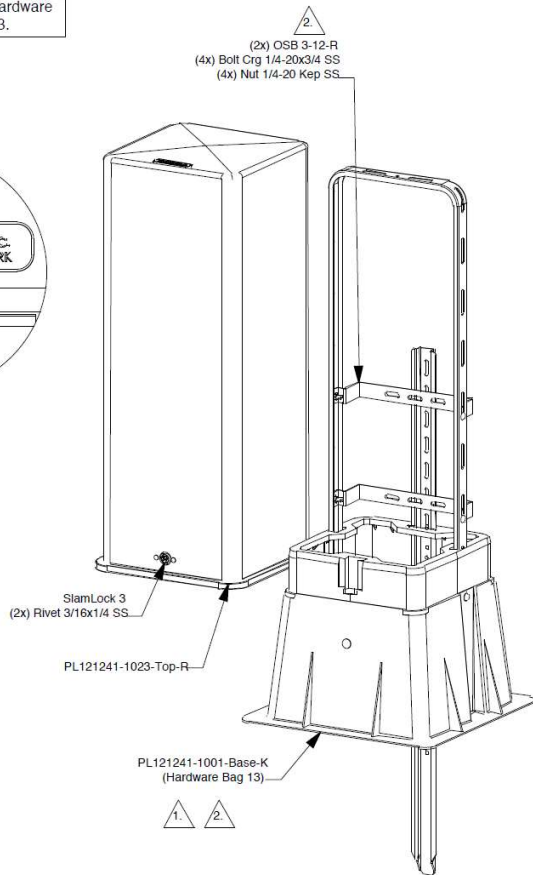
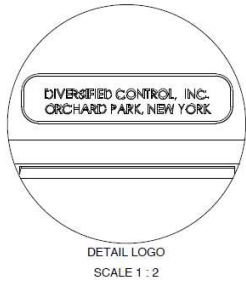
*Call your FiberSource Representative for type availability. Some variations may have limited availability or may be subject to minimum order

Phone 888.342.3776 | orders@fibersource.net | www.FiberSource.net

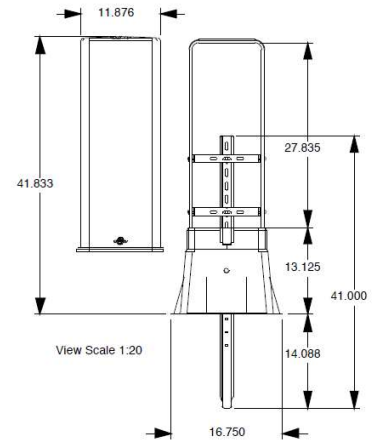


Notes:

1.	Hardware Bag 13 (not shown) is included in the base subassembly.
2.	Indicated items and mounting hardware are shipped in Hardware Bag 13.



REVISIONS				
REV.	DESCRIPTION	DATE	CHGD BY	APPVD BY



Qty	Item #	Description
1.00	PL121241-1023-Top-R	Top Assy, Pedestal, Plastic, Green, No Vent
1.00	SlamLock 3	SlamLock Assembly
2.00	Rivet 3/16x5/16 SS	bulk, Rivet, 3/16 Dia x 5/16 Lg, Stn Stl Rivet at Plastic
1.00	PL121241-1001-Base-K	Base Assy, Ped, Plst, BK, Hardware Bag Assemble at Plastic
1.00	CBX 171742 RSC	Cardboard Box, Regular Slotted Carton
	Packaging Instruction 8	Packaging Instruction, PC/PL's
	Package at Plastic	Packaging Operation (Plastic)

SolidWorks 2017		DIVERSIFIED CONTROL, INC.	
UNLESS NOTED TOLERANCE: +/- .03		3333 California Road Orchard Park, NY 14127	
MATERIAL:	APPROVAL DATE:	TITLE: PED-PLST, SPECIAL, STK41, NO VENTS	
DRAWN BY: AJK	05/21/21	DRAWING NUMBER: PL12124141-1053-RS	
ENGINEERING:		REV:	-
MANUFACTURING:		SCALE: 1:10	REF: .006 SHEET 1 OF 1
MARKETING:			

Part ID# 37613

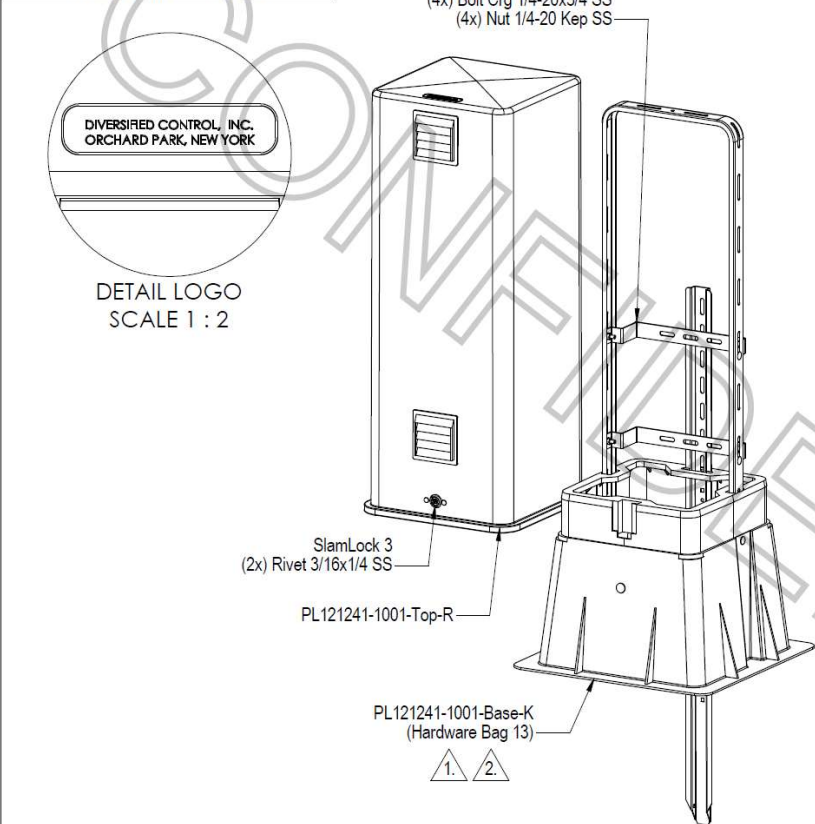
PL12124141-1053-RS.dxf - 5/21/2021 3:21 PM

*Call your FiberSource Representative for type availability. Some variations may have limited availability or may be subject to minimum order

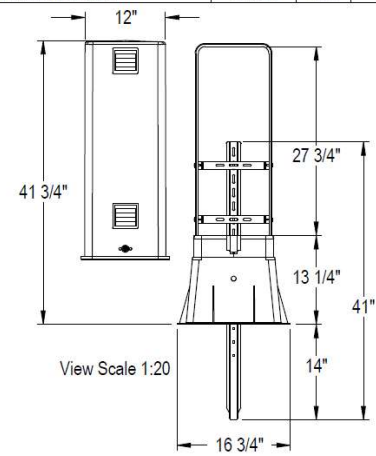
Phone 888.342.3776 | orders@fibersource.net | www.FiberSource.net



- NOTES:
- 1. Hardware Bag 13 (not shown) is included in the base subassembly.
 - 2. Indicated items and mounting hardware are shipped in Hardware Bag 13.



REVISIONS				
REV	DESCRIPTION	DATE	CHGD BY	APPVD BY
H	Rvsd BOM structure	9/15/03	AJK	
H1	Added dimensions	01/08/13	AJK	
H2	Added Detail View to show Logo.	05/03/16	MVV	



SolidWorks 2016		DIVERSIFIED CONTROL, INC.	
UNLESS NOTED TOLERANCE: +/- .03		3333 California Road Orchard Park, NY 14127	
MATERIAL:	APPROVAL DATE:	TITLE:	REV:
-	6/21/99	PED-PLST, GREEN, SL, +A, STK41	
DRAWN BY: AJK	6/21/99	DRAWING NUMBER:	
ENGINEERING: Mike	6/21/99	PL12124148-1001-RS	H2
MANUFACTURING: Garrick	6/21/99	SCALE: 1:10	Kerf Width: .006
MARKETING: Terri	6/21/99	SHEET	1 OF 1

*Call your FiberSource Representative for type availability. Some variations may have limited availability or may be subject to minimum order

Phone 888.342.3776 | orders@fibersource.net | www.FiberSource.net



12" X 12" X 41" HDPE SOLID BASE PEDESTAL PRICING (MOQ = 24 pcs -- Total Order Qty must be divisible by 24)						
Distributor Part#	Configuration Summary	Description			MSRP Price	BABA CERTIFIED MADE IN USA
FSPL12124141-1053-RS	UNVENTED Plain HDPE SOLID BASE PEDESTAL For Holding Closures or Terminals. This has 2 brackets mounted in the back for holding closures or terminals. Does not include a cable clamp bracket or wire saddles.	HDPE SOLID BASE PEDESTAL, 12" X 12" X 41", With Ground Mount Stake, Brackets, and Slam Lock, UNVENTED GREEN 24 Per Pallet			\$186.39	YES, BABA CERTIFIED MADE IN USA
FSPL12124141-1065-RS	UNVENTED Plain HDPE SOLID BASE PEDESTAL For Holding Closures or Terminals. This has 2 brackets mounted in the back for holding closures or terminals. Includes Ground Bar. Does not include a cable clamp bracket or wire saddles.	HDPE SOLID BASE PEDESTAL, 12" X 12" X 41", With Ground Mount Stake, Brackets, One Ground Bar, One MSI SI-GL4-11 #6 Ground Clamp, and Slam Lock, UNVENTED GREEN 24 Per Pallet			\$199.92	YES, BABA CERTIFIED MADE IN USA
FSPL12124148-1001-RS	VENTED Plain HDPE SOLID BASE PEDESTAL For Holding Closures or Terminals. This has 2 brackets mounted in the back for holding closures or terminals. Does not include a cable clamp bracket or wire saddles.	HDPE SOLID BASE PEDESTAL, 12" X 12" X 41", With Ground Mount Stake, Brackets, and Slam Lock, VENTED GREEN 24 Per Pallet			\$186.39	YES, BABA CERTIFIED MADE IN USA
FSPL12123648-1001-RS	P-LOCK VENTED Plain HDPE SOLID BASE PEDESTAL For Holding Closures or Terminals. This has 2 brackets mounted in the back for holding closures or terminals. Does not include a cable clamp bracket or wire saddles.	HDPE SOLID BASE PEDESTAL, 12" X 12" X 41", With Ground Mount Stake, Brackets, and Slam Lock, VENTED GREEN 24 Per Pallet WITH P LOCK			\$186.39	YES, BABA CERTIFIED MADE IN USA
FSPL12124148-1002-RS	DARK GREEN VENTED Plain HDPE SOLID BASE PEDESTAL For Holding Closures or Terminals. This has 2 brackets mounted in the back for holding closures or terminals. Does not include a cable clamp bracket or wire saddles.	HDPE SOLID BASE PEDESTAL, 12" X 12" X 41", With Ground Mount Stake, Brackets, and Slam Lock, VENTED DARK GREEN 24 Per Pallet			\$186.39	YES, BABA CERTIFIED MADE IN USA
FSPL12124141-1057-RS	UNVENTED This has brackets in the middle for accessories such as adapter plates or a splice tray bracket and a bracket at the bottom for holding cable clamps and securing drop cables.	HDPE SOLID BASE PEDESTAL, 12" X 12" X 41", WITH BRACKETS TO HOLD UNIVERSAL SPLICE TRAY MOUNTING KIT (ORDER SPLICE TRAY MOUNTING KIT SEPARATELY) WITH Cable Clamp and Tieoff Bracket, (Used For Holding Splice Trays, LGX or Corning Optitap® Compatible Adapter Plates, UNVENTED GREEN, 24 Per Pallet			\$193.35	YES, BABA CERTIFIED MADE IN USA
FSPL12124141-1058-RS	VENTED This has brackets in the middle for accessories such as adapter plates or a splice tray bracket and a bracket at the bottom for holding cable clamps and securing drop cables.	HDPE SOLID BASE PEDESTAL, 12" X 12" X 41", WITH CABLE TIEOFF/ CABLE CLAMP HOLDING BRACKET, BRACKETS TO HOLD UNIVERSAL SPLICE TRAY MOUNTING KIT (ORDER UNIVERSAL SPLICE TRAY MOUNTING KIT SEPARATELY), (Used For Holding Splice Trays, LGX or Corning Optitap® Compatible Adapter Plates, VENTED GREEN, 24 Per Pallet			\$193.35	YES, BABA CERTIFIED MADE IN USA
FSPL12124141-1066-RS	Plain HOOPLESS Ventless HDPE SOLID BASE PEDESTAL For Holding Closures or Terminals. This has no brackets mounted in the back for holding closures or terminals. Does not include brackets, cable clamp bracket or wire saddles.	HDPE SOLID BASE PEDESTAL, Medium, 12" X 12" X 41", HOOPLESS Ventless With Ground Mount Stake, Brackets, and Slam Lock, UNVENTED GREEN 24 Per Pallet			\$165.00	YES, BABA CERTIFIED MADE IN USA

*Call your FiberSource Representative for type availability. Some variations may have limited availability or may be subject to minimum order

Phone 888.342.3776 | orders@fibersource.net | www.FiberSource.net



PRECONFIGURED 12"X12"X41" HDPE SOLID BASE PEDESTAL PRICING (MOQ = 24 pcs -- Total Order Qty must be divisible by 24)						
Distributor Part#	Configuration Summary	Description			MSRP Price	BABA CERTIFIED MADE IN USA
FSPL12124141-1057-RS-40SPSCA	4 Optitap® Patching and Splicing	HDPE SOLID BASE PEDESTAL, Large With Ground Mount Stake, UNVENTED GREEN 12"X12"X41" Loaded With 4 OSPSCA Corning Optitap® Compatible Adapters With Space For 4 Additional Adapters, 4 X 2 mm Yellow Jacket 3 meter long Pigtails For Splicing, Splice Tray Holder With Velcro, 12 Heat Shrink Splice Tray, 2 Cable Clamps, 1 Ground Bar, 2 Ground Straps, Cable Clamp and Tieoff Bracket, 24 Per Pallet			\$443.58	YES, BABA CERTIFIED MADE IN USA
FSPL12124141-1057-RS-80SPSCA	8 Optitap® Patching and Splicing	HDPE SOLID BASE PEDESTAL, Large With Ground Mount Stake, UNVENTED GREEN 12"X12"X41" With 8 OSPSCA Corning Optitap® Compatible Adapters, 8 X 2 mm Yellow Jacket 3 meter long Pigtails For Splicing, Splice Tray Holder With Velcro, 2 Cable Clamps, 1 Ground Bar, 2 Ground Straps, 12 HeatShrink Splice Tray, Cable Clamp and Tieoff Bracket, 24 Per pallet			\$469.71	YES, BABA CERTIFIED MADE IN USA
FSPL12124141-1057-RS-ST	12" HDPE SOLID BASE PEDESTAL Configured For Expressing and Splicing Only- Order Splice Tray Separately Or Provide Your Own	HDPE SOLID BASE PEDESTAL, Large With Ground Mount Stake, UNVENTED GREEN 12"X12"X41", Loaded With Splice Tray Mounting Kit For Up To Six 1/2" Thick Splice Trays (ORDER SPLICE TRAYS SEPARATELY OR USE YOUR OWN TRAY), 2 Cable Clamps, 1 Ground Bar, 2 Ground Straps, Cable Clamp and Tieoff Bracket, Wire Saddles, 16" X 16" Vapor Barrier (24 Per Pallet)			\$284.19	YES, BABA CERTIFIED MADE IN USA
FSPL12124141-1057-RS-1ST	12" HDPE SOLID BASE PEDESTAL Configured For Expressing and Splicing Only- INCLUDES ONE 24 FIBER SPLICE TRAY	HDPE SOLID BASE PEDESTAL, Large With Ground Mount Stake, UNVENTED GREEN 12"X12"X41", Loaded With Universal Splice Tray Mounting Kit For Up To Six 1/2" Thick Splice Trays, ONE 24 FIBER SPLICE TRAY, 2 Cable Clamps, 1 Ground Bar, 2 Ground Straps, Cable Clamp and Tieoff Bracket, Wire Saddles, 16" X 16" Vapor Barrier (24 Per Pallet)			\$316.43	YES, BABA CERTIFIED MADE IN USA
FSPL12124141-1066-RS-CHBKT-L	Plain HOOPLESS Ventless HDPE SOLID BASE PEDESTAL For Holding Large Charles HDPE SOLID BASE PEDESTAL Closures/ Terminals. This has brackets mounted on the sides for holding Charles closures or terminals.	HDPE SOLID BASE PEDESTAL, Medium, 12" X 12" X 41", HOOPLESS Ventless With Ground Mount Stake, With Brackets On The Sides To Hold Large Charles HDPE SOLID BASE PEDESTAL Insert, and Slam Lock, UNVENTED GREEN 24 Per Pallet			\$267.00	YES, BABA CERTIFIED MADE IN USA

*Call your FiberSource Representative for type availability. Some variations may have limited availability or may be subject to minimum order

Phone 888.342.3776 | orders@fibersource.net | www.FiberSource.net